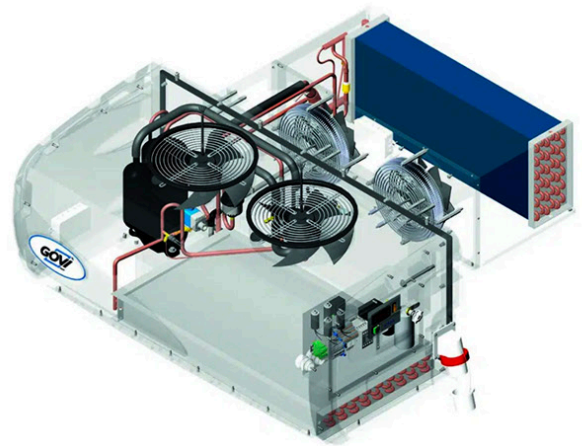
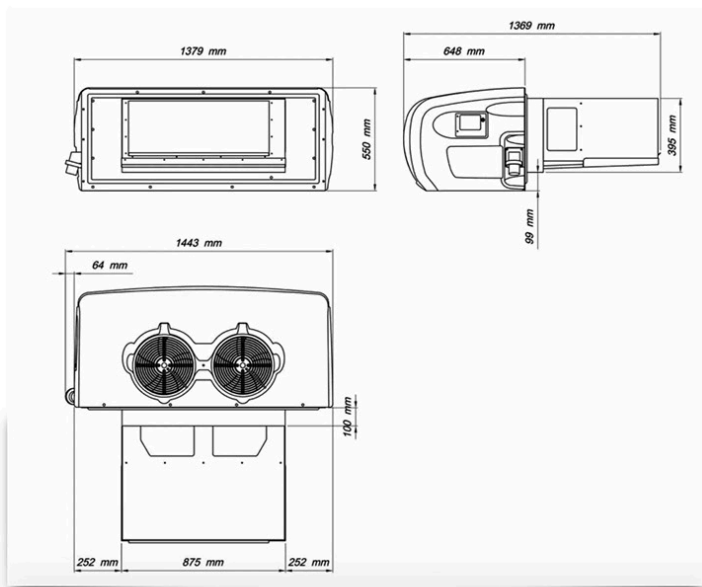


Technical Data 4000N/K

temperature range	2 to 10 °C	current consumption FLA	12 A
max. operating temperature	40 °C	defrosting	Hot gas W
max. volume trailer	32 m ³	air flow evaporator	3270 m ³ /h
power supply	400/3~ V *	air flow condenser	4200 m ³ /h
frequency	50 Hz	protection class, mounting side	54 IP
cooling capacity	4050 W	refrigerant	R452A
heating capacity	3200 W	refrigerant quantity	2400 g
power consumption	2850 W	weight	163 kg
current consumption LRA	54 A	colour	9010 RAL

* Model even available with a 230/1~V power supply

The data indicated refers to a set temperature of 2 °C • Refrigeration is based on the following operating conditions:
outside temperature 30 °C, RH 50% • Insulation with a k-value of 0.2 W/m²K is recommended.



GOVI GmbH

Max-Planck-Str.5 - 53842 Troisdorf (Germany) - Phone : +49(0)2241-92 29 460 - E-mail: info@govi-gmbh.de

www.govi-gmbh.de