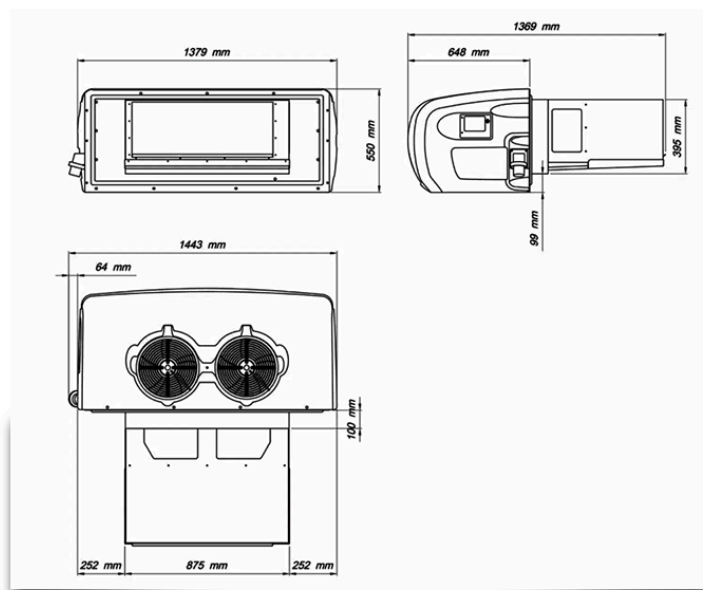


Technical Data 2000T

temperature range	-20 to -10 °C	defrosting	Hot gas W
max. operating temperature	40 °C	air flow evaporator	3270 m ³ /h
max. volume trailer	20 m ³	air flow condenser	4200 m ³ /h
power supply	400/3~ V *	protection class, mounting side	54 IP
frequency	50 Hz	refrigerant	R452A
cooling capacity	2050 W	refrigerant quantity	2400 g
power consumption	2500 W	weight	163 kg
current consumption LRA	54 A	colour	9010 RAL
current consumption FLA	9.8 A		

* Model even available with a 230/1~V power supply

The data indicated refers to a set temperature of -20 °C • Refrigeration is based on the following operating conditions:
outside temperature 30 °C, RH 50% • Insulation with a k-value of 0.2 W/m²K is recommended



GOVI GmbH

Max-Planck-Str.5 - 53842 Troisdorf (Germany) - Phone : +49(0)2241-92 29 460 - E-mail: info@govi-gmbh.de

www.govi-gmbh.de