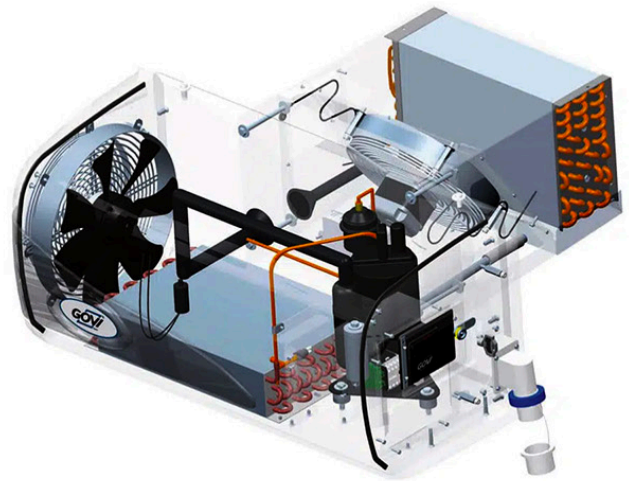
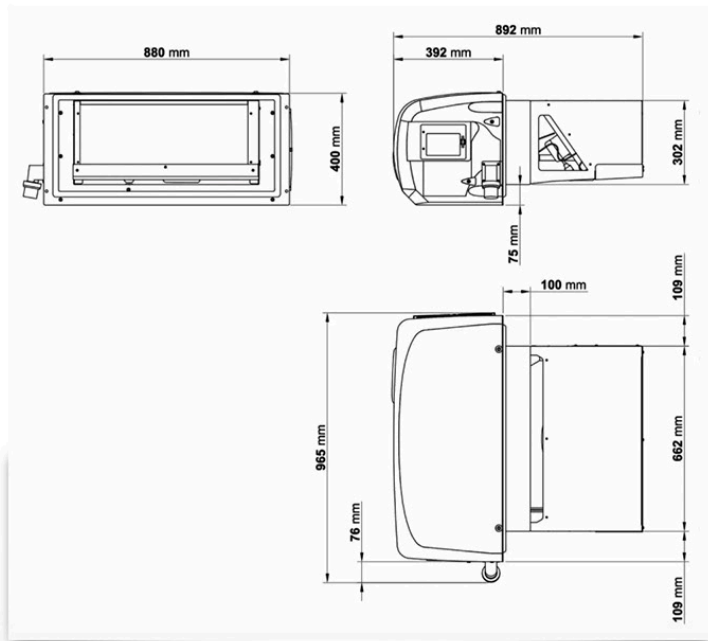


### Technical Data 2000N

temperature range	2 to 10 °C	defrosting	340 W
max. operating temperature	40 °C	air flow evaporator	750 m <sup>3</sup> /h
max. volume trailer	19 m <sup>3</sup>	air flow condenser	1100 m <sup>3</sup> /h
power supply	230 V	protection class, mounting side	54 IP
frequency	50 Hz	refrigerant	R134a
cooling capacity	2050 W	refrigerant quantity	550 g
power consumption	1260 W	weight	63 kg
current consumption LRA	29 A	colour	9010 RAL
current consumption FLA	5.7 A		

The data indicated refers to a set temperature of 2 °C • Refrigeration is based on the following operating conditions:  
outside temperature 30 °C, RH 50% • Insulation with a k-value of 0.2 W/m<sup>2</sup>K is recommended.



#### GOVI GmbH

Max-Planck-Str.5 - 53842 Troisdorf (Germany) - Phone : +49(0)2241-92 29 460 - E-mail: info@govi-gmbh.de

[www.govi-gmbh.de](http://www.govi-gmbh.de)